

High-definition Plasma display

TH-42PHD8EK TH-42PHD8ES

■ Product summary

This is a high-definition plasma display compatible with high-definition PC signals up to UXGA. The built-in "function slot" flexibly accommodates diversifying commercial information sources along with a wide array of features such as dual screen function, simple image enlargement, digital zoom, and various utility functions to meet different purposes and application scenes. This model comes with energy-saving functions such as display power management (DPMS) and auto-off without signals.

Note:

Following combinations of two analog signals cannot be displayed simultaneously for this model.
Component - Component, Component -PC (RGB), PC (RGB) - Component, PC (RGB) - PC (RGB)

■ Product specification (Design and specifications subject to change without notice)

Main unit	
Power Source	220 – 240 V AC, 50/60 Hz
Power Consumption	295 W Power off condition 0.3 W (Stand-by condition 0.6 W : STANDBY SAVE ON 0.8 W : STANDBY SAVE OFF)
Plasma Display panel	Drive method ; AC type 42-inch, 16:9 aspect ratio
Contrast Ratio	3000:1
Screen size	920 mm (W) x 518 mm (H)
Diagonal	1,056 mm
Number of pixels	786,432 (1,024 (W) x 768 (H)) [3,072 x 768 dots]
Operating condition	Temperature : 0 °C - 40 °C Humidity : 20 % - 80 % (Non condensation)
Applicable signals	Color System : NTSC, PAL, PAL60, SECAM, Modified NTSC Scanning format: 525 (480) / 60i-60p, 625 (575) / 50i-50p, 750 (720) / 60p-50p, 1125 (1080) / 60i-50i-24p-25p-30p-24sF ··· SMPTE 274M, 1250 (1080) / 50i PC signals: VGA, SVGA, XGA, SXGA, UXGA ··· (Compressed) Horizontal scanning frequency 15-110 kHz Vertical scanning frequency 48-120 Hz
Connection terminals (Standard terminal board)	AV • VIDEO IN/OUT(BNC) : 1.0 V [p-p] (75-ohm or high impedance) • S VIDEO (MINI DIN 4PIN) Y : 1.0 V [p-p] (75-ohm) C : 0.286 V [p-p] (75-ohm) • AUDIO IN L/R (RCA PIN JACK x 2) : 0.5 V [rms] (high impedance)
(Fixed specifications)	PC: (HIGH-DENSITY Mini D-SUB 15 PIN) R,G,B: 0.7 V [p-p] (75-ohm) HD,VD/1.0-0.5 V [p-p] (high impedance) AUDIO IN (M3 JACK): 0.5 V [rms] (high impedance) • SERIAL: EXTERNAL CONTROL TERMINAL (D-SUB 9 PIN), RS-232C COMPATIBLE
Speakers (6 Ω)	16 W (8W + 8W) (10% THD)
Dimensions (W x H x D)	1,020 mm x 610 mm x 89 mm (exclusive of protruding portion.)
Mass (weight)	31.5 kg : without speakers 35.5 kg : with speakers
Material	Front : Styrene plastic, Back cover : Metal
Remote control	
Power Source	DC 3 V (2 x AA Size dry cells)
Operation distance	approx. 7 m In front of plasma display.
Mass (weight)	approx. 130 g Include batteries

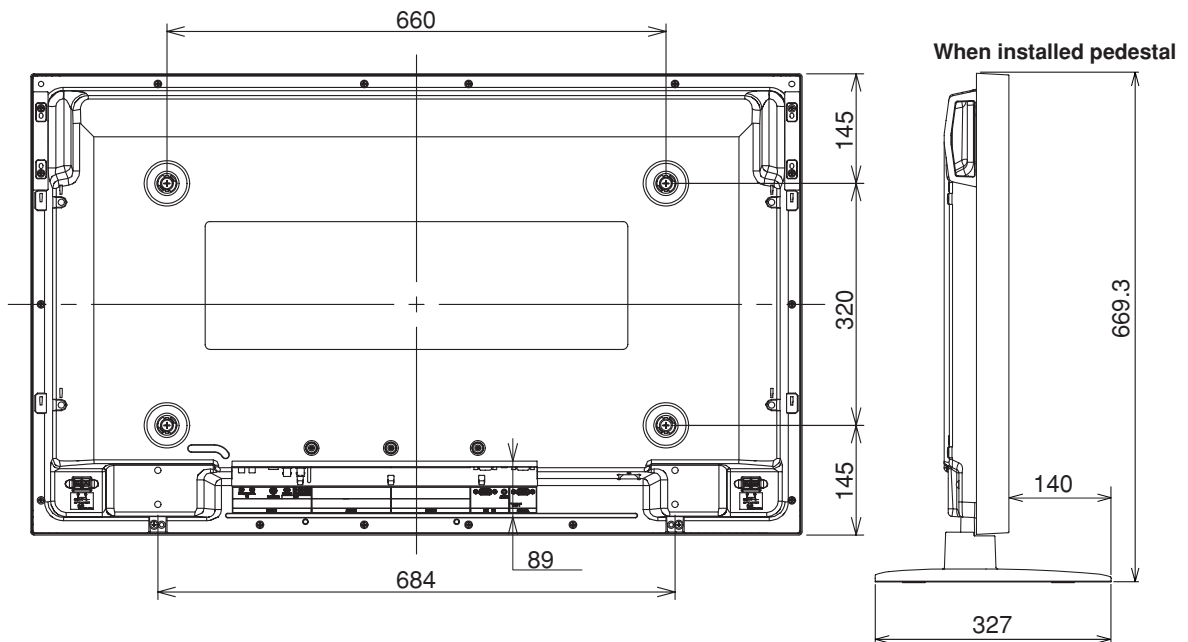
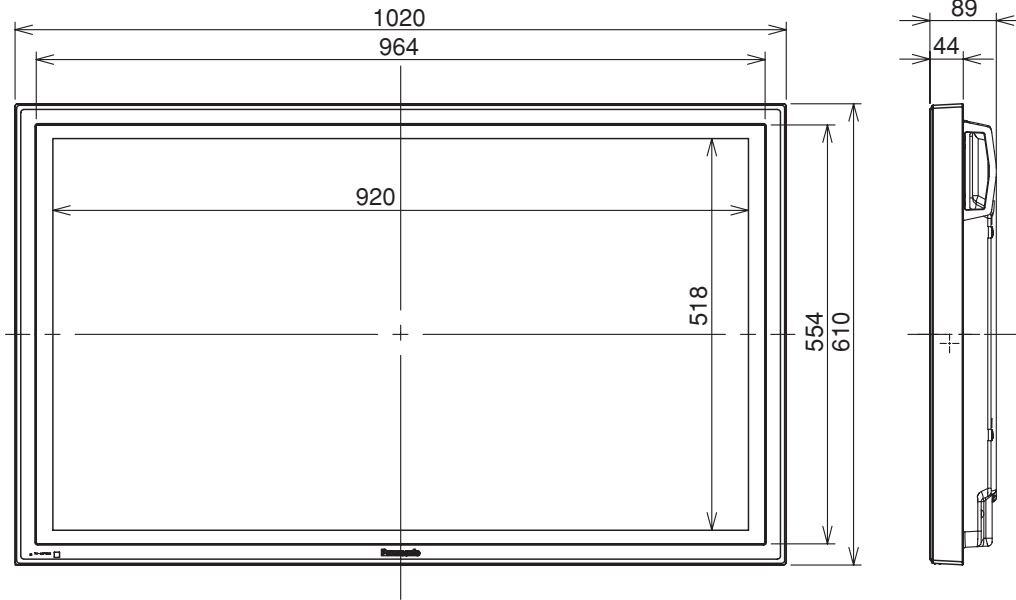
*The speaker rating is for one unit.

*TH-42PHD8EK/S has carrying handles.

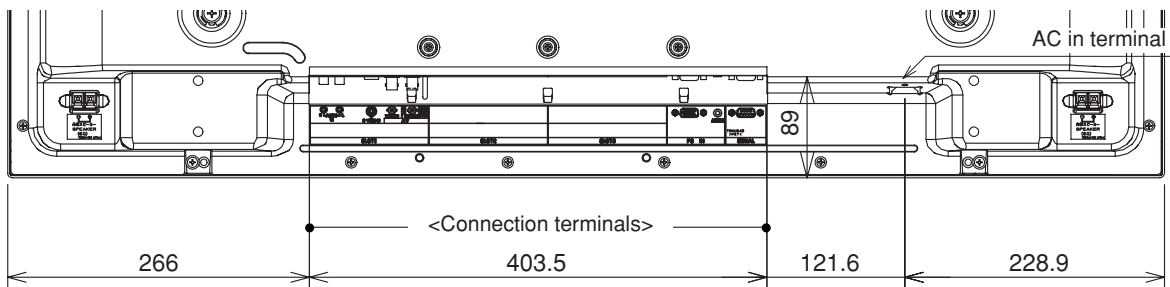
Accessories • Remote control unit • Battery • Band • Power cord • Warranty • Operating instructions book
Optional • Speakers • Wall-hanging bracket (Vertical: V, H common use/Angled/Drawer type) • Ceiling-hanging bracket
• Pedestal • Mobile stand • Wall stand • Terminal boards • Optical touch panel

■Dimensions

Units : mm



<Terminal dimension>



<Connection terminals>

